

产品亮点

绿色环保

- ★电动电驱，绿色环保
- ★零排放，满足室内外排放要求严格的工地需求

结构紧凑

- ★全系紧凑设计，同时兼顾高维护性，狭窄复杂工况作业能力更强

性能卓越

- ★全系标配最大作业角度3度，作业范围，作业场地适应性更强
- ★大载重，超强多场景多工况适应

维修成本低

- ★对比柴油动力，电池保养成本低，降低整体运营成本

电动电驱

- ★低成本，低噪音，低维护，绿色环保节能



标准特征		
工作平台液压调平	行走制动机械解除	喇叭和蜂鸣器安全警示
汽车级全管护套保护	平台旋转	最大允许3°工作倾角
倾斜保护系统	称重系统	报警灯安全警示
紧急停止系统	应急下降系统	故障诊断系统

选配特征	
Ac电源线至平台	文件盒
实心轮胎	T-BOX (GPS)
无痕轮胎	

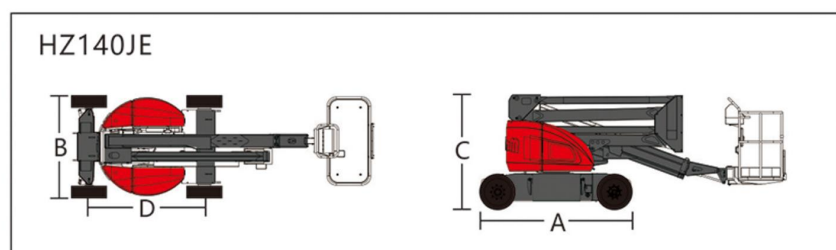
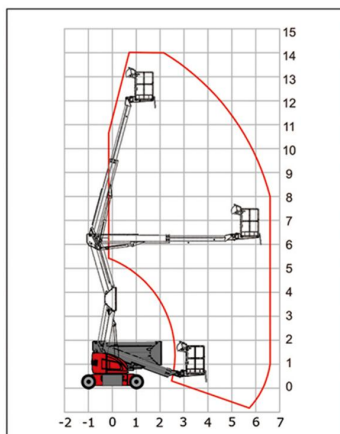


HZ SERIES

HZ140E/140JE

SELF-PROPELLED ARTICULATED BOOM

Model	HZ140E/140JE	
	Metric	Imperial
Max. Working Height	14m	45ft 11in
Max. Platform Height	12m	39ft 4in
Max. Outreach	7.04/7.259m	23ft 1in/23 ft 10in
Max. Up and Over Clearance	6.33m	20ft 9in
A Length (stowed)	5.36/6.17m	17ft 7in/20 ft 3in
B Width (stowed)	1.75m	5ft 9in
C Height (stowed)	2m	6ft 7in
D Wheelbase	2m	6ft 7in
Ground Clearance	0.14m	0ft 6in
Platform Size ((L×W×H)	1.5m×0.76m×1.1m	4ft11in×2ft6in×3ft7in
Performance		
Lift Capacity	230kg	507lb
Turntable Rotation	360°non-continuous	360°non-continuous
Platform Rotation	180°	180°
Drive Speed (Stowed)	3.7km/h	2.3mph
Drive Speed (Raised)	1km/h	0.62mph
Gradeability	35%	35%
Turing Radius (Inside)	2.3m	7ft 7in
Turing Radius (Outside)	3.5m	11ft 6in
Turntable Tailswing	0	0
Max. Tilt Angle(Front to Back/ Side to Side)	5°/3°	5°/3°
Drive wheels number x Steering wheels number	2×2	2×2
Tire Specification/ Type	600*190 (solid tire)	600*190 (solid tire)
Power		
Battery Specifications	DC48/320Ah	DC48/320Ah
Control Voltage	DC24V	DC24V
Hydraulic Tank Capacity	35L	9.3 gal
Weight		
Total Weight	5600/6340kg	12346 lb



The images in this manual are for illustration only, and all copyrights belong to our company. Due to continuous technological updates, product parameters may change without prior notice.

